

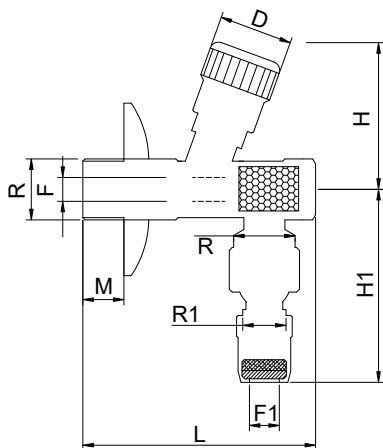
DESCRIZIONE - DESCRIPTION

Rubinetto a vitone sotto-lavabo in ottone stampato, cromato lucido con filtro inox, snodo e rosone.

Under washer-basin headwork tap made of forged brass, chromium plated, with stainless steel filter, articulation and flange.


CARATTERISTICHE - FEATURES

- Corpo vitone e premistoppa in ottone con tenuta: doppio O-ring.
- guarnizione in NBR
- maniglia in ABS cromato
- rosone in acciaio inox.
- PN 10 – 100°C
- *brass body headwork and stuffing box, with double tightness: double O-ring.*
- *NBR gasket*
- *ABS handle, chromium plated*
- *stainless steel base ring*
- *PN 10 – 100°C*

DIMENSIONI PRINCIPALI - LEADING DIMENSIONS


RxR1	1/2"x3/8"	
F	7	
L	75	
H1	63	
H	44	
M	14	
D Ø	25	