

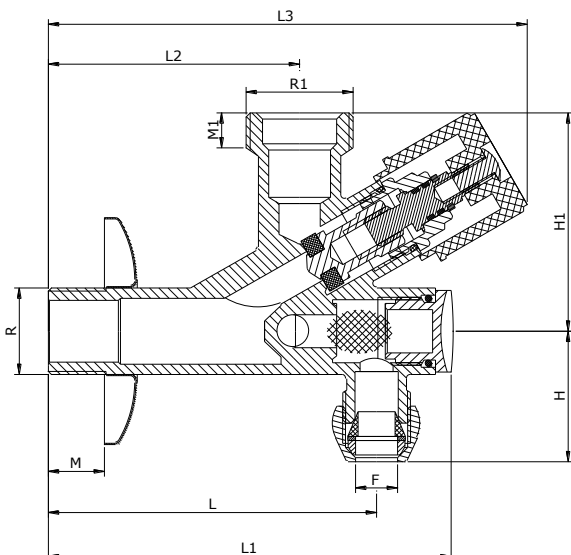
**DESCRIZIONE - DESCRIPTION**

Rubinetto combinato a vitone con filtro  
1/2"Mx3/4"Mx10

3 ways under-wash basin with filter and headwork  
1/2"Mx3/4"Mx10


**CARATTERISTICHE - FEATURES**

- corpo, in ottone CW617N.
- vitone in ottone CW614N
- guarnizione tenuta asta in gomma NBR
- leva in ABS cromato
- rosone e filtro in acciaio inox
- PN 10 -100°C
- *brass CW617N body*
- *Brass CW614N headwork*
- *Gasket stem in NBR rubber.*
- *ABS handle chromium plated*
- *Stainless steel base ring and filter*
- *PN 10 -100°C*

**DIMENSIONI PRINCIPALI - LEADING DIMENSIONS**


RxR1	1/2"x3/4"
L	80
L1	98
L2	61
L3	115
F	10.2
M	14
M1	9
H	32
H1	53