

### DESCRIZIONE - DESCRIPTION

Rubinetto sotto-lavabo a sfera cromato lucido con filtro inox, dado e rosone.

*Under washer-basin angle valve made of forged brass, chromium plated with stainless steel filter, and nut.*



2500

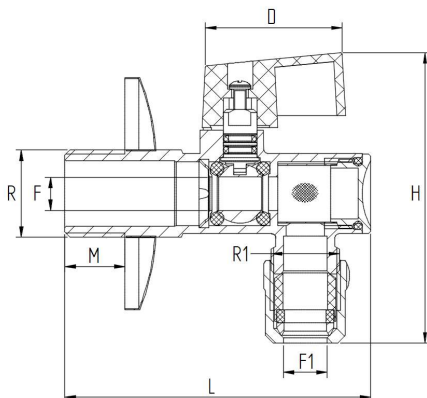


2501

### CARATTERISTICHE - FEATURES

- Corpo, asta, tappo, sfera e ghiera in ottone.
- sfera lavorata con utensile in diamante, cromata.
- Guarnizioni di tenuta asta-sfera: O-ring in gomma NBR
- leva in ABS cromato
- filtro in acciaio inox
- rosone in acciaio inox
- PN 10 -100°C
- Brass Body, stem, ball, cap and lock nut
- ball ground by diamond-tipped tool, chromium plated.
- O-ring stem-ball packing in NBR rubber.
- ABS handle chromium plated
- Stainless steel filter
- Stainless steel base ring
- PN 10 -100°C

### DIMENSIONI PRINCIPALI - LEADING DIMENSIONS



	2500	2501
RxR1	1/2"x3/8"	1/2"x3/8"
F	8	8
L	72	72
H	68	52
F1	10.3	/
M	14	14
D	32	32